

PHILIPS

EP1220/00/04
EP2220/10/12/13/14/40
EP2224/40
EP2121/62
EP2020/10
EP2021/40
EP3221/40/43/44
EP2124/62

EP2030/10
EP2221/40/43/49
EP1222/00
EP1224/00/09
EP2223/40
EP2224/19
EP3226/40



Cod. 882870800010-0300-0870-4520
Cod. 882871110010-2640-0300-4520-3470-4660-0010
Cod. 882872240010-0300-0870
Cod. 882872962710
Cod. 882870510870
Cod. 882870340870
Cod. 882871540010-0300-3470-4520
Cod. 882873262710

882870210870
882871240010-0300-3470-9160
882870700010-0300-0870
882870600870-0300-0010-9160
882873940010
882872219011
882873540010

POS	12NC	DESCRIPTION	NOTE	POS	12NC	DESCRIPTION	NOTE
101	421945006761	WATER TANK CONNECTOR V2 OMN					
102	421944086411	COFFEE SPOON OMN					
103	421946017941	KLUBERLUB NH1 11-222 TUBE 5GR.					
104	421940402711	STICKER FOR WATER HARDNESS TEST					
105	421944085661	CENTRAL STRUCTURE OMN ASSY					
	421945004741	CENTRAL STRUCTURE OMN UL ASSY	120V				
	421945016861	CENTRAL STRUCTURE ASSY STLR	only for EP3226/40				
106	421945014111	BLK CASING BOTTOM V2 OMP/B ASSY					
	421944085671	BASE PLATE OMN ASSY					
	421945009571	BLK CASING BOTTOM V2 OMP/B	EP2220/13 - EP2221/43				
	421945015211	BLK CAS.BOTTOM V2 OMP/B 120V AS					
107	421324705256	FOOT					
108	421946043171	BLK POWER CABLE 3X0.75 SCH/KOR L=1000	⚠				
	421945002001	BLACK POWER CABLE USA L=1000	⚠				
	421945002011	BLACK POWER CABLE TWN L=1000	⚠				
	421945005041	BLK POWER CABLE 3X0.75 CN L=1000	⚠				
	421945022151	BLK POWER CABLE 3X0.75 SCH L=1000	⚠				
	421945005511	BLK POWER CABLE 3X0,75MM CH L=1000	⚠				
109	421945007951	KIT MAINBOARD+SW OMN 230V	⚠				
	421945012132	MAIN+SW APP OMN CN	⚠				
	421945009902	MAIN+SW APP OMN KR V2	⚠				
	421945000241	MAIN+SW TEST OMN LOW VOLT	⚠				
		only for EP1220/04 - EP2220/14 - EP3221/44	not available see pos. 135				
110	-	WATER TANK OMN					
111	421944085351	WATER TANK HANDLE OMN/P-B					
		only for EP1220/00/04 - EP2020/10 - EP2030/10 EP2220/10/13/14/40					
	421944083011	WATER TANK HANDLE OMN/H-T					
	421945002291	WATER TANK HANDLE RED OMN/P-B	only for EP1222/00				
	421944094671	CASH WATER CONT.HANDL.OMN/P-B	EP1224/00 - EP2224/19				
	421944091941	WHIS WATER TANK HANDLE OMN/T-H	only for EP2223/40				
112	421944082861	BLK DRIP TRAY OMN/B					
113	421944085301	BLK DUMP BOX COVER OMN/B-P					
	421944082871	BLK DUMP BOX COVER OMN/H-T					
		only for EP2021/40 - EP2121/62 - EP2221/40/43/49 - EP2223/40 - EP3221/40/43/44					
	421944092661	CAS.DUMP.BOX.COV.OMN/H-T GREY					EP2124/62 - EP2224/40
	421944094641	CASH DUMP BOX COVER OMN/B-P					EP1224/00 - EP2224/19
	421944094521	DUMP BOX COV.SIL.SPEC.OMN/T					EP2220/12 - EP3226/40
	421945002301	RED DUMP BOX COVER OMN/B-P					only for EP1222/00
114	421944082851	BLK GRATE FOR DRIP TRAY OMN/B					
		only for EP1222/00 - EP1220/04 - EP2030/10 - EP2220/14					
	421944083121	BA/SS GRATE FOR DRIP TRAY OMN/B					
		EP2021-2221-2224-2121-2124/62 - EP3221/44					
	421945023291	BA/SS GRATE FOR DRIP TRAY V2 OMN/B					
		only for EP2021/40 - EP2121/62 - EP2124/62 - EP2220/40 - EP2221/40/49 - EP2224/40					
115	421944088751	FLOATER OMN/B					
116	421944082881	BLK DUMP BOX OMN/B					
117	421944082821	TR/GRY BEAN COF.CONT.LID W/SEAL OMN/B					
	421944091961	BEAN CONT.LID OMN V2					
		only for EP1220/00 - EP1222/00 - EP2121/62					
118	421944084601	NAT/GRY GROUND COF.HOPPER LID OMN/B	⚠				
119	421944085401	GRINDER SETTING KNOB OMN	⚠				
120	421944082831	M/BLK UPPER CASING COVER OMN/B					
	421945015271	M/BLK UPPER CASING COVER V2 OMN/B					
		only for EP1220/04 - EP2220/13/14 - EP3221/44					
	421945015291	D/RED UPP.CAS.COVER V2 OMN/B					only for EP1222/00
	421945015301	CASH UPP.CAS.COVER V2 OMN/B					EP1224/00 - EP2224/19
	421945015281	WHIS UPP.CAS.COVER V2 OMN/B					only for EP2223/40
121	421944082982	LATERAL DOOR V2 OMN					
122	421944082991	RIGHT PANEL OMN					
	421944094661	CASH RIGHT PANEL OMN/H-T					
		only for EP1224/00 - EP1224/09 - EP2224/19					
	421944092611	WHT RIGHT PANEL OMN/H-T					only for EP2223/40
	421944092621	RED RIGHT PANEL OMN/H-T					only for EP1222/00
123	421944083041	BACK PANEL OMN					
	421944094681	CASH BACK PANEL OMN					
		only for EP1224/00 - EP1224/09 - EP2224/19					
	421944092631	WHT BACK PANEL OMN					only for EP2223/40
	421944092641	RED BACK PANEL OMN					only for EP1222/00
124	421944082921	BLK LEFT SIDE COVER OMN/B					
	421944094691	CASH LEFT SIDE COVER OMN/B					
		only for EP1224/00 - EP1224/09 - EP2224/19					
	421944092591	WHT LEFT SIDE COVER OMN/B					only for EP2223/40
	421944092601	RED LEFT SIDE COVER OMN/B					only for EP1222/00

IMPORTANT REPAIR INSTRUCTIONS: Only use genuine Philips spare parts to replace critical components.

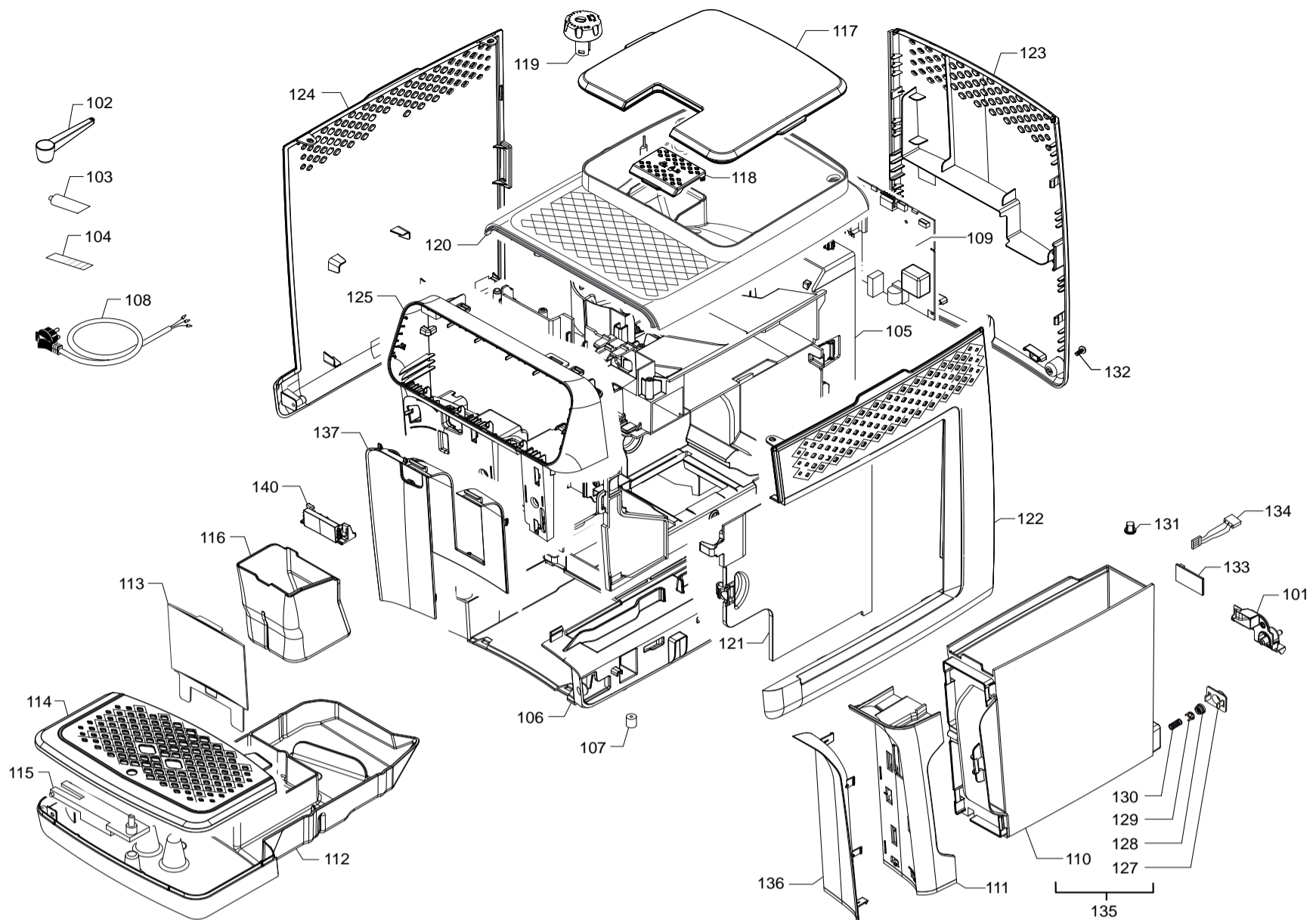
The warranty of your Philips product is void if you do not use genuine Philips spare parts to repair critical components of your appliance.

The critical components are indicated with a warning triangle ⚠ in the service exploded view and/or service manual.

PHILIPS

PHILIPS EP CMF SERIES

TABLE 1/7



PHILIPS

EP1220/00/04
EP2220/10/12/13/14/40
EP2224/40
EP2121/62
EP2020/10
EP2021/40
EP3221/40/43/44
EP2124/62

EP2030/10
EP2221/40/43/49
EP1222/00
EP1224/00/09
EP2223/40
EP2224/19
EP3226/40



Cod. 882870800010-0300-0870-4520
Cod. 882871110010-2640-0300-4520-3470-4660-0010
Cod. 882872240010-0300-0870
Cod. 882872962710
Cod. 882870510870
Cod. 882870340870
Cod. 882871540010-0300-3470-4520
Cod. 882873262710

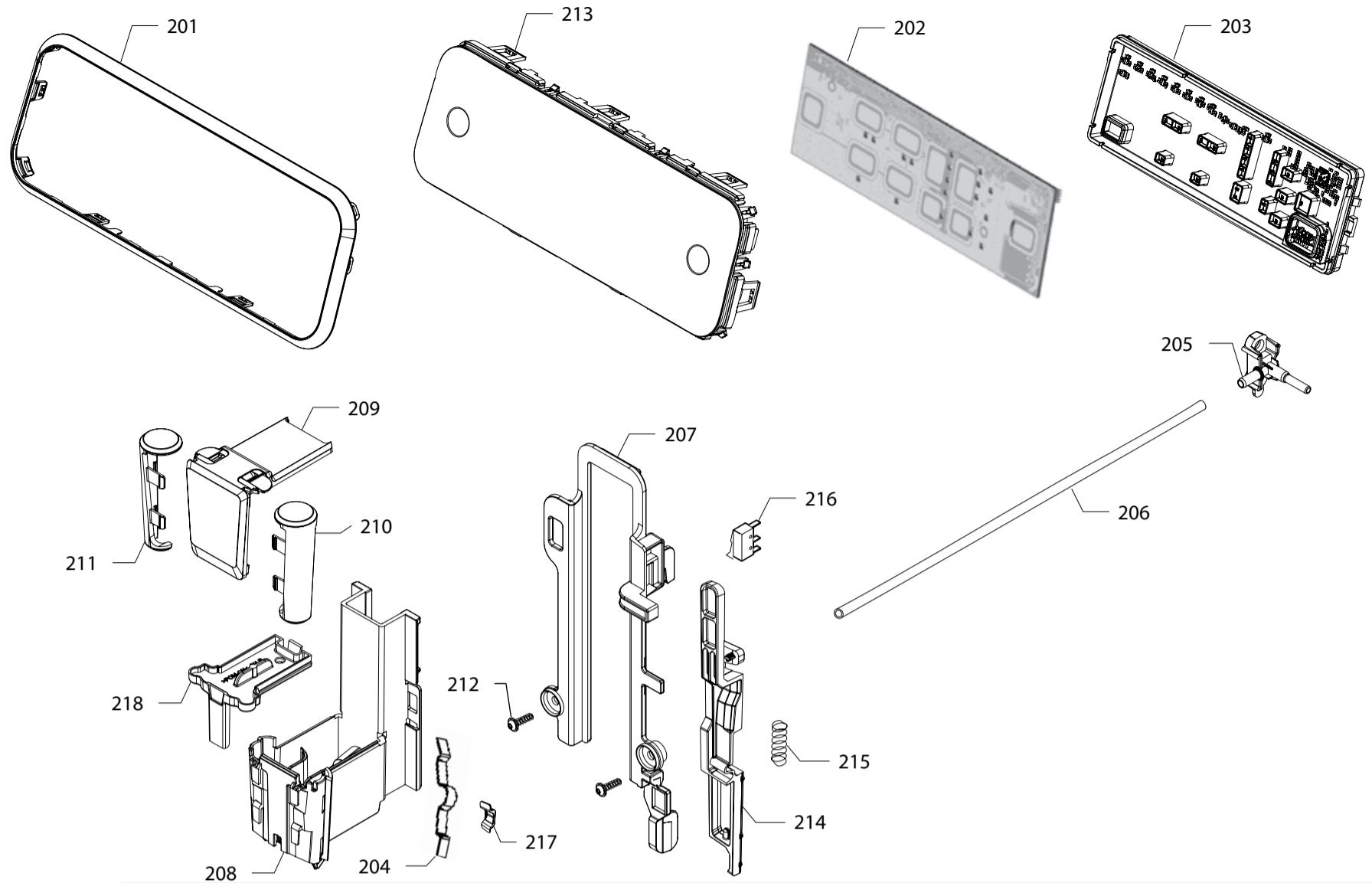
882870210870
882871240010-0300-3470-9160
882870700010-0300-0870
882870600870-0300-0010-9160
882873940010
882872219011
882873540010

POS	12NC	DESCRIPTION	NOTE	POS	12NC	DESCRIPTION	NOTE
125	421944085311	BLK FRONT UPPER CASING COVER OMN/P					
	421944082901	BLK FRONT UPPER CASING COVER OMN/H-T	only for EP3221/44				
	421945002311	RED FRONT UPPER CASING COVER OMN/P	only for EP1222/00				
	421944094651	CASH FRONT UPP.CAS.COV.OMN/H-T					
		only for EP1224/00 - EP1224/09 - EP2224/19					
	421944092531	WHT FRONT UPP.CAS.COV.OMN/H-T	only for EP2223/40				
127	421944040061	BLK LID FOR WATER CONT.VALVE V2 P0049					
128	421944040781	BLK GASKET FOR WATER CONT.VALVE V2 P0049					
129	421944040071	BLK WATER CONT.VALVE INSERT V2 P0049					
130	421941157841	SS SPRING FOR WATER CONTAIN. VALVE P0049					
131	996530029115	EXTERNAL FILTER FOR WATER CONTAINER ASSY					
132	421940212391	SCREW TCB TORX 3,5X30 PLAST.ZN-B					
133	421941306721	CPU+SW WATER LEVEL SENSOR V3 ASSY					
	421945002911	N.BOARD+SW WAT SENS OMN					
		only for EP1220/04 - EP2220/14 - EP3221/44					
134	421946045822	3 POLES CONN.WATER LEV.CAP.V2 OMN UL AS.	120V				
	421945025311	3POLES CONN.FLOWMETER OMN UL ASSY V2 PL	only for EP1222/00				
	421945025321	3POLES CONN.FLOWMETER OMN UL ASSY V2 BZ	only for EP2220/12				
	421945025361	3 P.CONN.WATER LEV.CAP.V2 OMN UL AS. BZ	only for EP2220/40				
135	421944085741	WATER TANK OMN ASSY					
136	421944083001	DEEPBLK WATER CONT.HAND.COV.OMN/H-T					
	421944092421	C/GREY WATER CONT.HANDL.COV.OMN/H-T	EP2124/62 - EP2224/40				
	421944094531	WATER CONT.HAND.COV.SILV.SPEC.OMN/T	only for EP3226/40				
137	421944082891	BLK INS.FRONT UPPER CASING COVER OMN/B					
	421944092391	CAS.NS.FRONT UPP.CAS.COV.OMN/B GREY INS					
		only for EP2224/40 - EP2124/62					
	421944094511	FR.UP.CAS.COV.SILVER SPEC OMN/T					
		only for EP2220/12 - EP3226/40					
140	421944085431	FRONT PANEL INSERT OMN					
	421945002321	RED FRONT PANEL INSERT OMN	only for EP1222/00				
	421945000711	FRONTAL PAN.INS.OMN/P-B-CASH					
		only for EP1224/00 - EP1224/09 - EP2224/19					

IMPORTANT REPAIR INSTRUCTIONS: Only use genuine Philips spare parts to replace critical components.
The warranty of your Philips product is void if you do not use genuine Philips spare parts to repair critical components of your appliance.
The critical components are indicated with a warning triangle in the service exploded view and/or service manual.

PHILIPS

PHILIPS EP CMF SERIES



EP1220/00/04
EP2220/10/12/13/14/40
EP2224/40
EP2121/62
EP2020/10
EP2021/40
EP3221/40/43/44
EP2124/62

EP2030/10
EP2221/40/43/49
EP1222/00
EP1224/00/09
EP2223/40
EP2224/19
EP3226/40

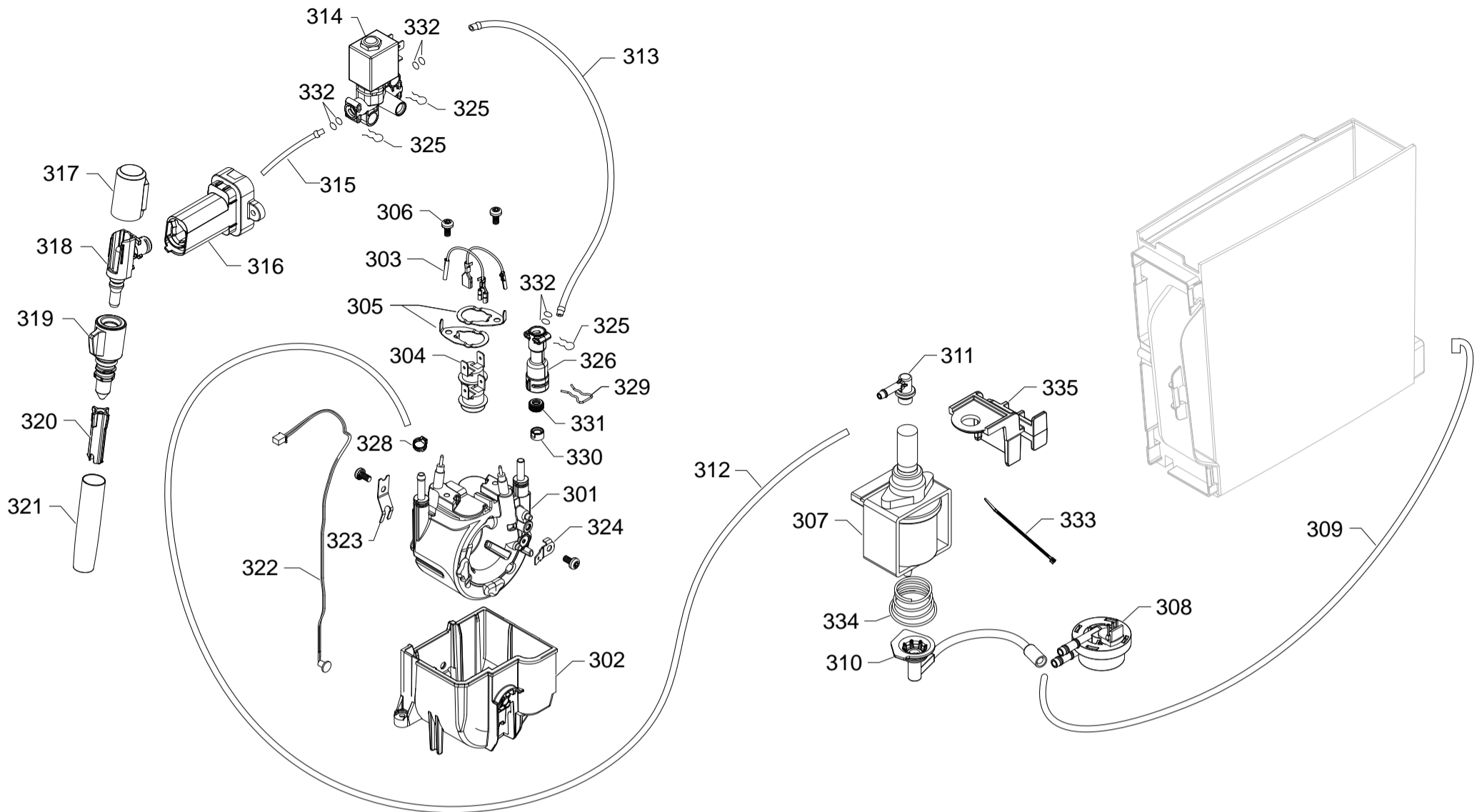
Cod. 882870800010-0300-0870-4520
Cod. 882871110010-2640-0300-4520-3470-4660-0010
Cod. 882872240010-0300-0870
Cod. 882872962710
Cod. 882870510870
Cod. 882870340870
Cod. 882871540010-0300-3470-4520
Cod. 882873262710

882870210870
882871240010-0300-3470-9160
882870700010-0300-0870
882870600870-0300-0010-9160
882873940010
882872219011
882873540010



POS	12NC	DESCRIPTION	NOTE	POS	12NC	DESCRIPTION	NOTE
201	421944083161	CHR.UI FRAME OMN/T					
202	421941311861	UI+SW TEST ENTRY OMN					
	421941311901	UI+SW TEST BASIC OMN					
	421945023141	UI+SW TEST SYS. BASIC OMN					
203	421944091571	WHT REAR COVER UI OMN/B					
	421944091511	WHT REAR COVER UI OMN/T					
		only for EP3221/40/43/44 - EP3226/40					
204	422224000542	SPOUT SPRING					
205	421944085411	BLK BREW UNIT COFFEE OUTLET CONN.OMN/B					
	421945006621	BLK COF.OUTLET CONN OMN CN	only for china				
206	421945001461	SILICONE TUBE 4X6.5 L=245 MM					
207	421944088081	COF.DISPENS.SUPP.OMN/B					
208	421944083201	BLK COF.DISPENS.EXT.MOBILE PART OMN/B					
	421945006601	BLK COF.DISPENSER OMN CN	only for china				
	421945022601	BLK COF.DISP.EXT.MOB.PART V2 OMN/B					
		only for EP2220/12/13 - EP2221/43					
209	421944090431	BLK UPP.COV.COFF.DISP.S/SCR.OMN/B					
210	421944088691	CHROM.RIGHT SIDE INS.COF.DISP.OMN/B					
211	421944088701	CHROM.LEFT SIDE INS.COF.DISP.OMN/B					
212	421940220061	SCREW TCBR TORX 10 3,5X12 PLAST.ZN-N					
213	421944092851	BLK FRONT PANEL UI OMN/M2 S/SCR					
	421944092831	BLK FRONT PANEL UI OMN/B1 S/SCR	only for EP1220/00				
	421944092861	BLK FRONT PANEL UI OMN/M3a S/SCR	only for EP2030/10				
	421945005891	BLK FRONT PANEL UI OMN/M2 S/SCR.CH	EP2121/62 - EP2124/62				
	421945009301	BLK FRONT PANEL UI OMN/B1 120V S/SCR	only for EP1220/04				
	421945009321	BLK FRONT PANEL UI V2 OMN/M2 S/SCR	only for EP2220/14				
	421945009361	BLK FRONT PANEL UI OMN/T2A 120V S/SCR	only for EP3221/44				
	421944092871	BLK FRONT PANEL UI OMN/T2a S/SCR	EP3221/43 - EP3226/40				
214	421944085422	DUMP BOX MISCROSWITCH LEVER V2 OMN					
215	421944092961	MICROSWITCH LEVER SPRING OMN					
216	421946043193	CONN.MICROSW.DOOR OMN UL ASSY V3					
	421945025291	CONN.MICROSW.DOOR OMN UL ASSY V3 PL					
	421945025301	CONN.MICROSW.DOOR OMN UL ASSY V3 BZ					
		only for EP2220/12 - EP2220/40 - EP2223/40 - EP2224/19					
217	421945006071	WHT COFFEE DISPENSER SLIDER OMN/B					
218	421945006591	INTERNAL COVER OMN/B					





EP1220/00/04
EP2220/10/12/13/14/40
EP2224/40
EP2121/62
EP2020/10
EP2021/40
EP3221/40/43/44
EP2124/62

EP2030/10
EP2221/40/43/49
EP1222/00
EP1224/00/09
EP2223/40
EP2224/19
EP3226/40

Cod. 882870800010-0300-0870-4520
Cod. 882871110010-2640-0300-4520-3470-4660-0010
Cod. 882872240010-0300-0870
Cod. 882872962710
Cod. 882870510870
Cod. 882870340870
Cod. 882871540010-0300-3470-4520
Cod. 882873262710

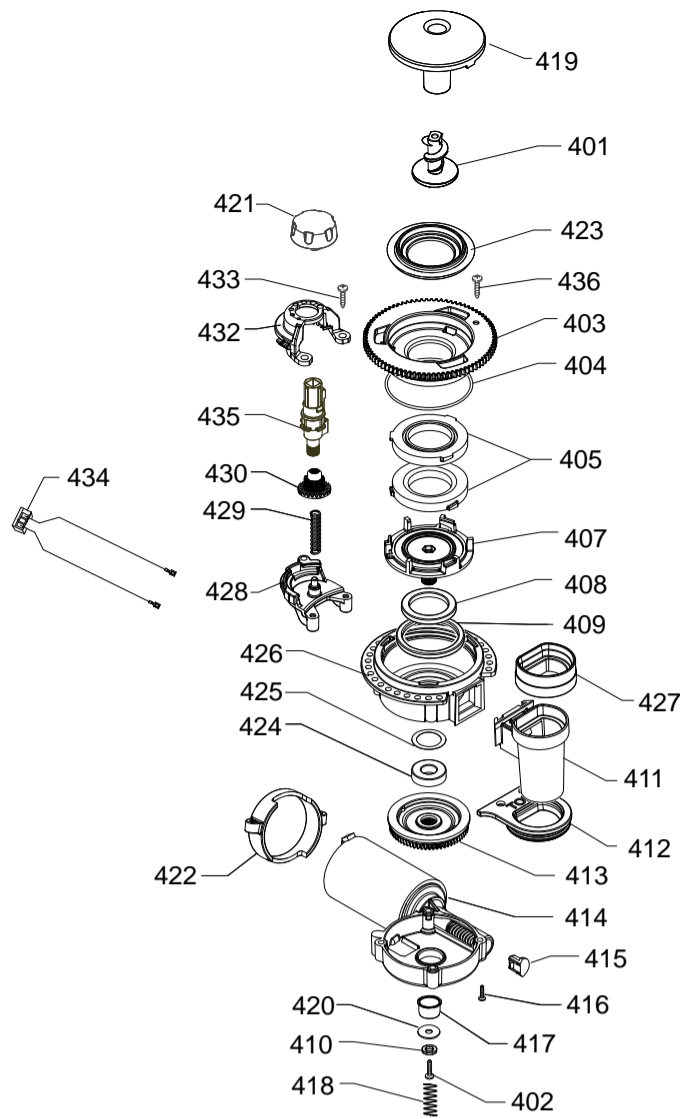
882870210870
882871240010-0300-3470-9160
882870700010-0300-0870
882870600870-0300-0010-9160
882873940010
882872219011
882873540010



POS	12NC	DESCRIPTION	NOTE	POS	12NC	DESCRIPTION	NOTE
301	421944082941	THERMOBLOCK OMN ASSY	⚠				
	421945003491	THERMOBLOCK 127V OMN ASSY	⚠ 120V				
	421945008121	THERMOBLOCK 220V OMN/CN ASSY	⚠ only fo china				
302	421944082951	THERMOBLOCK SUPP.OMN ASSY	⚠				
303	421946043141	CABLE 1 WIRE BLK BOILER OMN	⚠				
	421945025211	CABLE 1 WIRE BLK BOILER OMN PL	⚠				
	421945025221	CABLE 1 WIRE BLK BOILER OMN BZ	⚠				
304	262279998757	THERMOSTAT OPEN/CLOSE 190/-35DEGC B	⚠				
305	422224002162	FUSE CLAMP	⚠				
306	421940212071	SCREW TCB TORX 20 M4X8 AUTOFORMING ZN-B	⚠				
307	421941305991	ULKA PUMP EP5FMGW 230V-50HZ	⚠				
	421944081531	ULKA PUMP EFP5/S 120V-60HZ	⚠ 120V				
	421940219771	ULKA PUMP EP5/S GW 220V-60HZ	EP2220/13 - EP2221/43				
308	421940207701	TURBINE D=1,2 932-8521/90 ASSY	⚠				
309	422224708411	FM INLET HOSE					
310	422224708391	FM OUTLET HOSE					
311	421944090251	BLACK 90°CONNECTOR PUMP OUTLET PHI2200					
312	421944065471	PINK 5X8,9 SILICONE TUBE L=140 MM	⚠				
313	421944091581	TEFLON TUBE 2X4 L=200MM+2BUSH 7/7 ASSY	⚠				
314	421944082931	EV OMN ASSY					
	421945004501	EV ASSEMBLY-UL OMN	⚠ 120V				
		only for EP1220/04 - EP2220/14 - EP3221/44					
315	421941128281	TEFLON TUBE 2X4 L=180 MM ASSY					
316	421944088562	BLK SUPP PANN.V2 OMN/H					
317	421944088601	BLK COVER PANNARELLO OMN/H					
318	421944085371	BLK CONNECT.PANNARELLO OMN/H					
	421945007581	BLK CONNECT.PANNARELLO CN OMN/H	only for china				
319	421944088531	BLK/SIL.STEAM TUBE HANDGRIP OMN/H					
320	421944085391	BLK PANNARELLO INT.TUBE OMN/H					
321	421944086991	SS PANNARELLO COVER OMN/H	⚠				
322	421946046921	TEMPERATURE SENSOR NTC OMN	⚠				
323	422224002171	NTC CLAMP	⚠				
324	422224006891	EARTH TERMINAL	⚠				
325	421941058941	SS FORK FOR TUBE D.4					
326	422224777123	TB INLET CONNECTOR					
328	421940221091	OETIKER CLAMP D=9,5 16700004					
329	422224002241	FORK FOR D=8MM					
330	422224777092	TB SEAL SPACER					
331	422224708381	THERMOBLOCK SEAL					
332	996530013564	OR 2015 SILICONE PTFE/FDA					
333	421940213981	SELF LOCK STRIP W=2.6 L=200					
334	422224002181	PUMP SPRING					
335	421945020921	PUMP RUBBER SUPPORT OMN					



PHILIPS EP CMF SERIES



PHILIPS

EP1220/00/04
 EP2220/10/12/13/14/40
 EP2224/40
 EP2121/62
 EP2020/10
 EP2021/40
 EP3221/40/43/44
 EP2124/62

EP2030/10
 EP2221/40/43/49
 EP1222/00
 EP1224/00/09
 EP2223/40
 EP2224/19
 EP3226/40



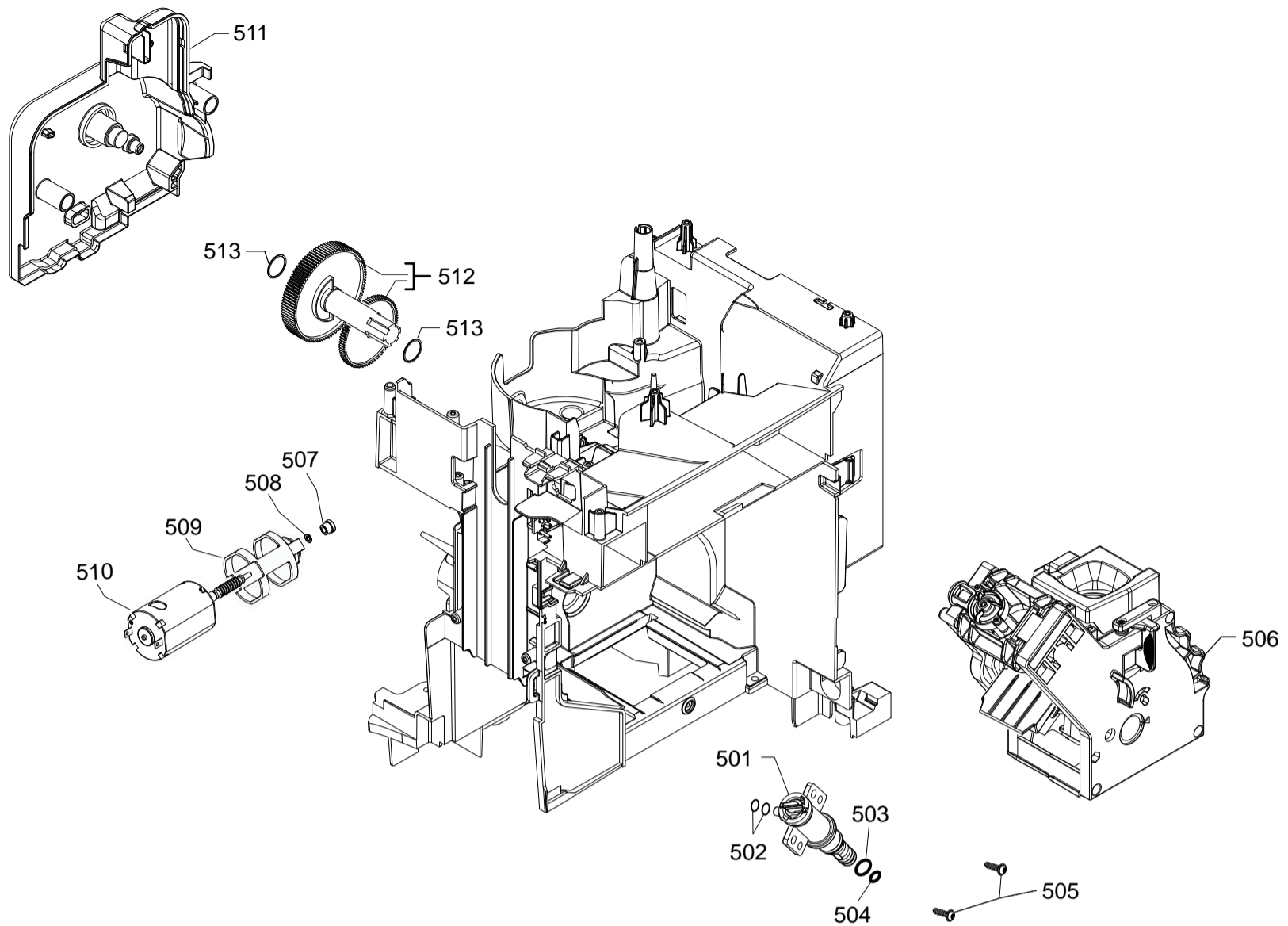
Cod. 882870800010-0300-0870-4520
 Cod. 882871110010-2640-0300-4520-3470-4660-0010
 Cod. 882872240010-0300-0870
 Cod. 882872962710
 Cod. 882870510870
 Cod. 882870340870
 Cod. 882871540010-0300-3470-4520
 Cod. 882873262710

882870210870
 882871240010-0300-3470-9160
 882870700010-0300-0870
 882870600870-0300-0010-9160
 882873940010
 882872219011
 882873540010

POS	12NC	DESCRIPTION	NOTE	POS	12NC	DESCRIPTION	NOTE
401	421944032692	GRIVORY INCREASE SCREW GRINDER V2					
402	996530012928	SCREW TCB TORX 20 M4X30 ZN-B		421944092381	GEN.MOTOR COF.GRINDER OMN 120V ASSY	⚠	
403	421941094152	BLK COF.GRINDER UPPER GRINDER SUPPORT V2		421940213291	SCREW TCB TORX 10 3X8 PLAST.ZN-B		
404	996530013577	NBR FDA OR METRIC 0530-15					
405	996530016342	BAKED CLAY GRINDER 48X28					
406	421944079881	BRASS BUSH BEAN CONT.FINGER PROTEC.FTR/B					
407	996530017952	LOWER GRINDER SUPPORT COFFEEGRINDER					
408	996530011183	AXIAL BEARING EKKO 342.35252					
409	996530013597	FELT RING 45,4X39,4X4					
410	996530012341	GALV.WASHER UNI 8842 A4					
411	421941230122	BLK GROUND COFF.OUTLET CONV. V2 ASSY.					
412	421944060561	GRY GROUND COF.CONT.LOWER SEAL V2 SMART1					
413	421945006091	GRY GEAR SX Z=38 FOR GRINDER MOTION					
414	421944049151	MOTOR COFFEEGRINDER V3.2 230V ASSY	⚠				
	421944084071	MOTOR COFFEEGRINDER V3.2 WZN 120V ASSY	⚠				
415	996530018139	CAP FOR WORM SCREW MC/V3 CENTRING					
416	996530012992	SCREW TCB TORX 3,5X30 PLAST.ZN-B					
417	996530001389	INSULATOR BUSH FOR GRINDER MOTOR P124					
418	996530000376	COFFEE GRINDER SUPPORT SPRING P124					
419	421945024711	BLK GRINDER FINGER PROTECT.V2 OMN					
	421944094591	BEAN CONT.FINGER PROT.NO WRIT OMN/B					
		only for EP1220/00 - EP2220/10 - EP2221/40/49					
		EP2224/10/40 - EP3221/43					
420	996530012375	GALVAN.FLAT WASH.DI=4,3 DE=14 SP=1,5					
421	421944075151	BLK GRIND.AJUST.KNOB 10 POS. SMR					
422	421941142172	BLK COFFEEGRINDER MOTOR SUPP.P124 V2					
423	421941085872	COFFEE GRINDER SEAL P119 GRY 7035					
424	996530011182	RADIAL BEARING 61900.2RS1					
425	996530012374	CRINKLE WASHER 21,8X15,8X0,2					
426	421941082802	BLK UPPER BODY WITH COFFEE GROUND OUT.V2					
427	996530015958	GROUND COFFEE CONT.SEAL UPPER SMART1					
428	996530001314	LOWER GEAR SUPPORT COFFEEGRINDER P124					
429	996530001308	GRINDER REGULATION SPRING P124					
430	996530001907	COFFEE GRINDING ADJUSTMENT GEAR P0049					
431	421940212391	SCREW TCB TORX 3,5X30 PLAST.ZN-B					
432	996530001296	UPPER GEAR SUPPORT COFFEEGRINDER P124					
433	996530013165	SCREW TCB TORX 10 3,5X16 PLAST.ZN-B					
434	996530073454	2POLES CONNET.COFFEEGRINDER MOTOR SMR UL					
	421946043182	2POLES CONN.MICROSW.DOOR OMN UL ASSY					
		EP1220/00/04 - EP1222/00 - EP2121/62 - EP2124/62 -					
		EP2220/14 - EP3221/44					
435	421944052341	BLW BEAN COFFEE GRINDER INSERT V2 SMR					
436	996530068586	SCREW TCB TORX B 3,5X9,5 SCHEET NIK					
	421944092371	GEN.MOTOR COF.GRINDER OMN 230V ASSY	⚠				

PHILIPS

PHILIPS EP CMF SERIES



PHILIPS

EP1220/00/04
EP2220/10/12/13/14/40
EP2224/40
EP2121/62
EP2020/10
EP2021/40
EP3221/40/43/44
EP2124/62

EP2030/10
EP2221/40/43/49
EP1222/00
EP1224/00/09
EP2223/40
EP2224/19
EP3226/40



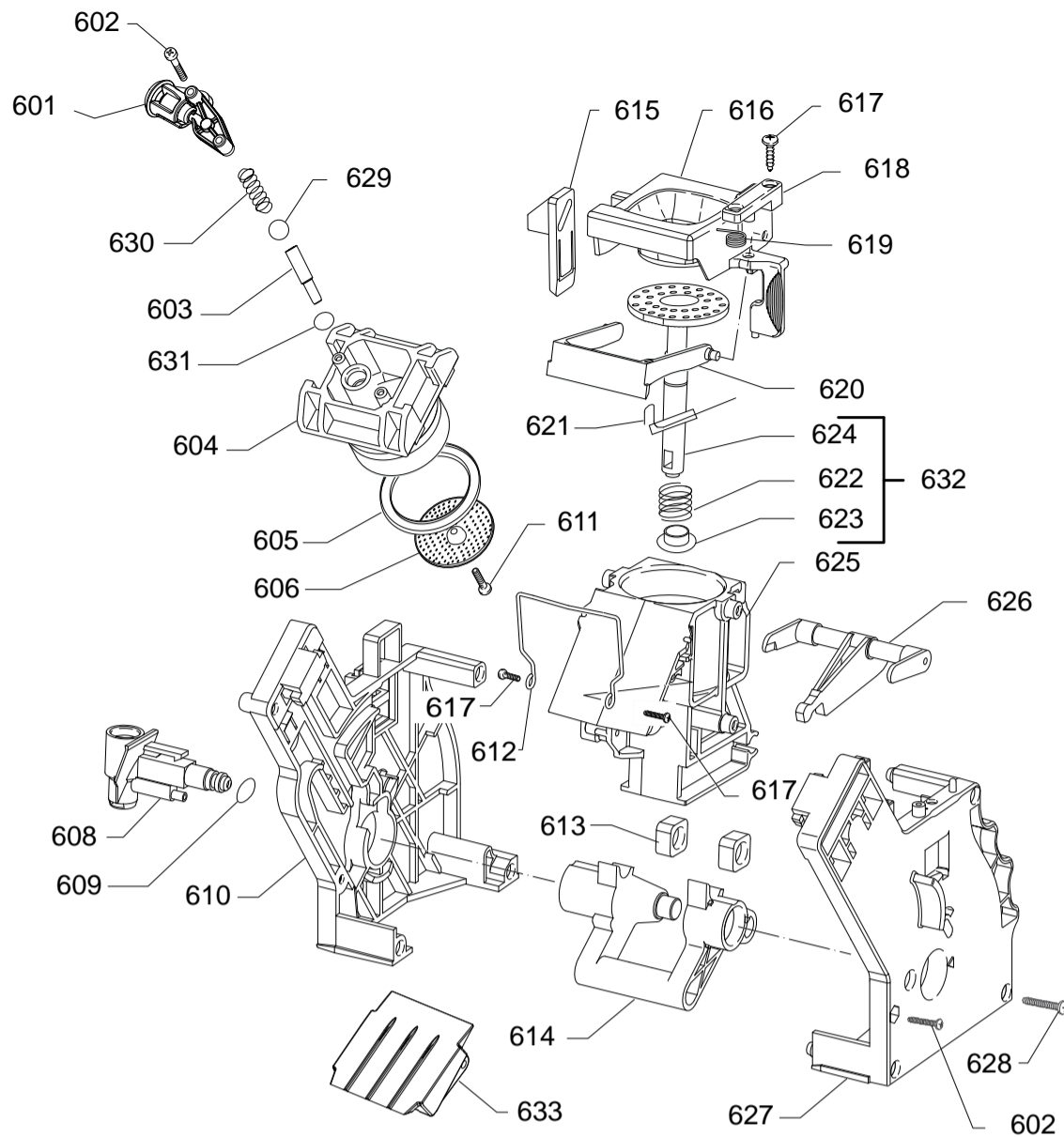
Cod. 882870800010-0300-0870-4520
Cod. 882871110010-2640-0300-4520-3470-4660-0010
Cod. 882872240010-0300-0870
Cod. 882872962710
Cod. 882870510870
Cod. 882870340870
Cod. 882871540010-0300-3470-4520
Cod. 882873262710

882870210870
882871240010-0300-3470-9160
882870700010-0300-0870
882870600870-0300-0010-9160
882873940010
882872219011
882873540010

POS	12NC	DESCRIPTION	NOTE	POS	12NC	DESCRIPTION	NOTE
501	421945000221	ASSY PIN OF BOILER SMR					
502	996530013564	OR 2015 SILICONE PTFE/FDA					
503	996530059399	OR ORM 0090-20 SILICONE					
504	996530059419	OR ORM 0050-20 IN SILICONE					
505	996530070321	SCREW TCBR TORX 10 3,5X12 PLAST.SS					
506	421944093342	BLK/YLW BREW UNIT 8GR 5BAR V2 OMN					
	421945017481	BLK/YLW BREW UNIT 8GR 5BAR OMN/CN (2ND)	only for china				
	421944092331	BLK/YLW BREW UNIT 8GR.5BAR FTR/B V3					
		only for EP1220/04 - EP2220/14 - EP3221/44					
	421945025201	BLK/YLW BREW UNIT 8GR 5BAR OMN 2ND V2	only for EP1222/00				
507	996530049898	SINTERED BUSH FOR MOTOR					
508	996530017424	WASHER BAKELIZZATE D=5,5					
509	996530049896	ANTIVIBRATION FOR MOTOR					
510	996530002796	MOTOR FOR RATIONOTOR P124 ASSY.	⚠				
511	421944082961	BREW UNIT MOTOR COVER OMN					
	421945004721	BREW UNIT MOTOR COVER UL OMN	⚠ 120V				
		only for EP1220/04 - EP2220/14 - EP3221/44					
512	996530009913	SPARES KIT GEARS FOR RATIONOTOR V2	⚠				
513	996530050569	MYLAR WASHER FOR RATIONOTOR					

PHILIPS

PHILIPS EP CMF SERIES



PHILIPS

EP1220/00/04
EP2220/10/12/13/14/40
EP2224/40
EP2121/62
EP2020/10
EP2021/40
EP3221/40/43/44
EP2124/62

EP2030/10
EP2221/40/43/49
EP1222/00
EP1224/00/09
EP2223/40
EP2224/19
EP3226/40



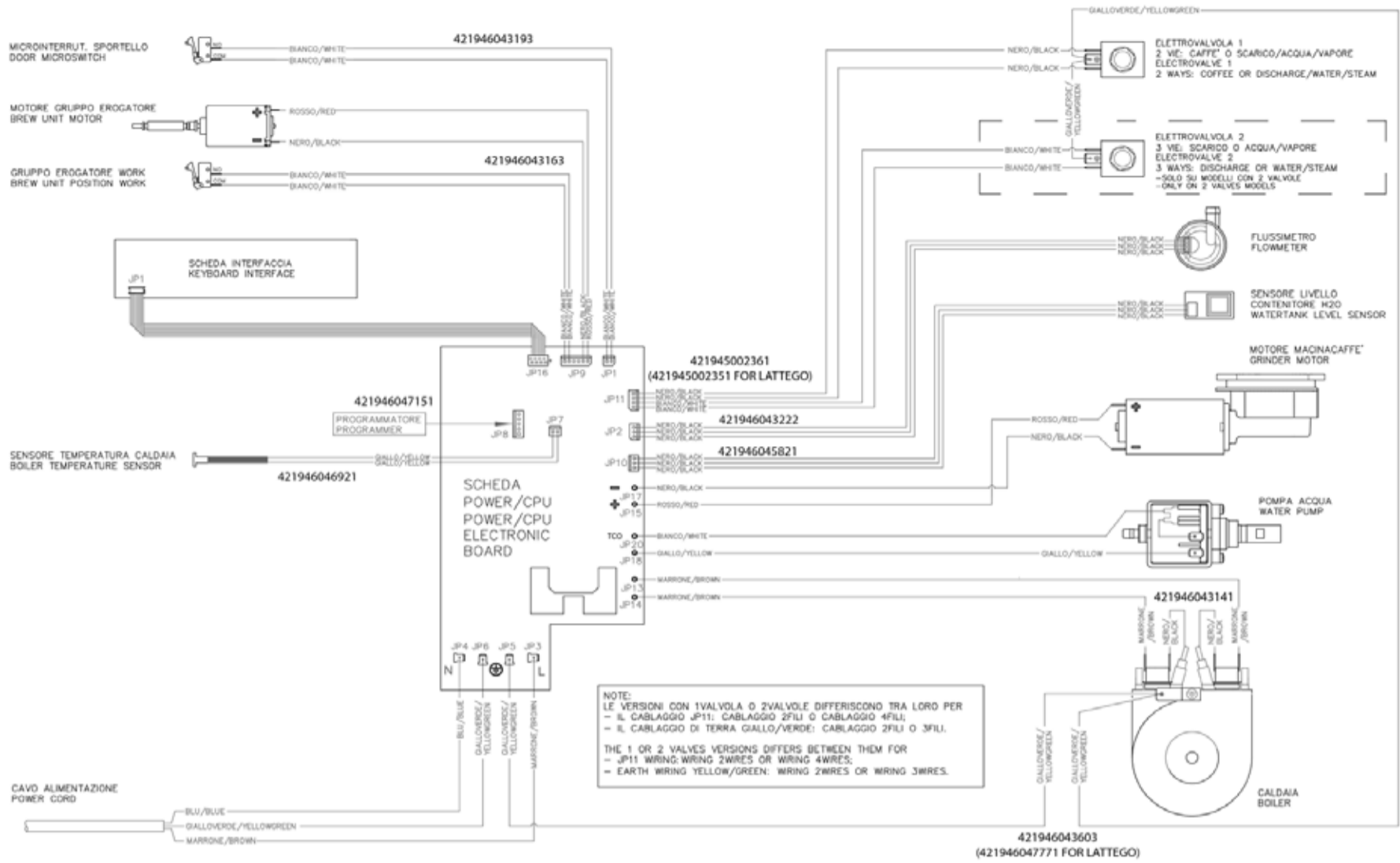
Cod. 882870800010-0300-0870-4520
Cod. 882871110010-2640-0300-4520-3470-4660-0010
Cod. 882872240010-0300-0870
Cod. 882872962710
Cod. 882870510870
Cod. 882870340870
Cod. 882871540010-0300-3470-4520
Cod. 882873262710

882870210870
882871240010-0300-3470-9160
882870700010-0300-0870
882870600870-0300-0010-9160
882873940010
882872219011
882873540010

POS	12NC	DESCRIPTION	NOTE	POS	12NC	DESCRIPTION	NOTE
601	421944065222	BLK BREW UNIT COF.OUT.SLEEVE V2 SMR ASSY				only for EP1222/00 - EP1220/04 - EP2220/12/14 - EP3221/44	
	421945008181	BLK BREW UNIT COF.OUT.SLEEVE V3 SMR ASSY	only for china	619	996530050838	SPRING HOPPER SMART BREW UNIT	
602	996530007838	SCREW TCB TORX 10 3X25 PLAST.SS		620	996530002096	BLACK SCRAPER FOR BREW UNIT M5000	
603	996530005372	BLK COUNTER PISTON TUBE BREW UNIT S0053			421945003961	BLK BREW UNIT SCRAPER V3 M5000	only for china
	421945003871	BLK BREW UN.COUNTER PISTON TUBE V3 S0053	only for china		421944079261	BLK BREW UNIT SCRAPER V2 M5000	
	421944079291	BLK BREW UN.COUNTER PISTON TUBE V2 S0053	only for EP1222/00			only for EP1222/00 - EP1220/04 - EP2220/14 - EP3221/44	
604	996530001046	BLACK COUNTER PISTON BREW UNIT 8GR.P124		621	996530050455	SPRING FOR UNIT SCRAPER	
	421945003891	BLK BREW UNIT 8GR.COUNTER PISTON V3 P124	only for china	622	996530050627	SS.8GR.BREW UNIT PISTON SPRING	
	421944079991	BLK BREW UNIT 8GR.COUNTER PISTON V2 P124	only for EP1222/00	623	996530050618	WHITE 8GR.-12GR.BREW UNIT PISTON BUSH	
605	996530059406	OR ORM 0320-40 IN SILICONE PTFE/FDA		624	421944065791	GRY BREW UNIT INTEGR.PISTON 8GR.V3 ASSY	
606	996530050709	PERCOLATOR DE=35,8 ELFO			421944079491	GRY BREW UNIT INTEGR.PISTON 8GR.V4 ASSY	
	421945025331	PERCOLATOR DE=35,8				only for EP1222/00 - EP1220/04 - EP2220/14 - EP3221/44	
608	421945002572	BREW NEU. UN.WATER INLET SLEEVE V5		625	421944014611	BLK COF.CONTAIN.BREW UNIT V2 M5000 ASSY.	
	421944093331	BREW UN.WATER INLET SLEEVE V4	only for china		421945003921	BLK COF.CONTAIN.BREW UNIT V5 M5000 ASSY	only for china
	421944050641	BREW UN.WATER INLET SLEEVE V2 SMR			421944079431	BLK COF.CONTAIN.BREW UNIT V4 M5000 ASSY	
		only for EP1220/04 - EP2220/14 - EP3221/44			421945013822	BLK COF.CONTAIN.BREW UNIT V5 ASSY	
609	421940207151	OR 2025 NBR FDA				only for EP1222/00 - EP1224/00 - EP2220/40 - EP2223/40 - EP2224/19 - EP3226/40	
610	996530050832	BLACK REAR PLATE FOR BREW UNIT SMART		626	996530001452	BLACK CONNECTING ROD FOR UNIT 8GR.	
	421944091731	BLK BREW UNIT REAR PLATE V2 SMR			421944091761	BLK BREW UNIT 8GR.CONNECTING ROD V2	
		only for EP1224/00/09 - EP2220/12/40 - EP2221/49 EP2223/40 - EP2224/19				only for EP1222/00 - EP1224/00 - EP2220/40 EP2224/19 - EP2223/40 - EP3226/40	
	421941065071	BLK BREW UNIT REAR PLATE SMART	only for EP1224/09		421941154931	BLK BREW UNIT 8GR.CONNECTING ROD	only for EP1224/09
611	996530007951	SCREW TSP TORX 10 3X10 PLAST.SS		627	996530003228	BLACK FRONT PLATE BREW UNIT SMART S.SCR.	
612	421944025811	SS BREW UNIT SPRING H=49 PK			421944091711	BLK BREW UNIT FRONT PLATE S/SCR. V2	
613	996530050539	BLACK DRILLED BLOCK BREW UNIT				only for EP1222/00 - EP1224/00 - EP2220/40 EP2224/19 - EP2223/40 EP3226/40	
614	421944079201	YLW BREW UNIT ELBOW SHAFT V2 M5000			421941170181	BLK BREW UNIT FRONT PLATE S/SCR.SMART	only for EP1224/09
	421944091781	YLW BREW UNIT ELBOW SHAFT M5000 V2		628	996530007953	SCREW TCB TORX 10 3,5X20 PLAST.SS	
		only for EP1224/00/09 - EP2220/12/40 - EP2221/49 EP2223/40 - EP2224/19		629	421944081491	BREW UNIT VALVE FTR/B	
615	421944046932	YLW BREW UNIT COUPLING PLATE V3 SMART		630	421945001491	SS.CONICAL SPRING 6BAR	
	421944091791	YLW BREW UNIT COUPLING PLATE V3 SMART		631	996530059489	OR ORM 0060-10 NBR	
		only for EP1224/00/09 - EP2220/12/40 - EP2221/49 EP2223/40 - EP2224/19		632	421944065811	GRY BREW UNIT 8GR.INT.PISTON GEN.V3 ASSY	
616	996530018241	BLACK HOPPER DOSER BREW UNIT SMART1			421945008201	GRY BREW UNIT 8GR.INT.PISTON GEN.V4 ASSY	only for china
	421944079552	BLK BREW UNIT V4 SMART1 HOPPER DOSER	only for china	633	996530073426	BLACK BREW UNIT CONVEYOR SLIDE L=56,3	
	421941095982	BLK BREW UNIT V3 SMART1 HOPPER DOSER			421944091861	BLK BREW UNIT CONVEYOR SLIDE L=76,8	only for china
		EP3221/43 EP1220/00/04 - EP2220/12/14 - EP3221/44			421944079341	BLK BREW UNIT CONVEYOR SLIDE L=56,3 V2	
	421945014151	BLK BREW UNIT V5 SMART1 HOPPER DOSER				only for EP1220/00/04 - EP2220/14 - EP3221/44	
		only for EP1222/00 - EP1224/00 - EP2220/40 - EP2220/40 - EP2224/19 - EP3226/40			421945025201	BLK/YLW BREW UNIT 8GR 5BAR OMN 2ND V2	
617	996530013148	SCREW TCB TORX 10 3,5X14 PLAST.SS			421945019401	BLK BREW UNIT CONVEYOR SLIDE L=56,3	
618	421944050711	YLW BREWUNIT HOPPER BLOCKING PLATE SMART					
	421941065051	BLK BREWUNIT HOPPER BLOCKING PLATE SMART					

PHILIPS

PHILIPS EP CMF SERIES



EP1220/00/04
EP2220/10/12/13/14/40
EP2224/40
EP2121/62
EP2020/10
EP2021/40
EP3221/40/43/44
EP2124/62

EP2030/10
EP2221/40/43/49
EP1222/00
EP1224/00/09
EP2223/40
EP2224/19
EP3226/40



Cod. 882870800010-0300-0870-4520
Cod. 882871110010-2640-0300-4520-3470-4660-0010
Cod. 882872240010-0300-0870
Cod. 882872962710
Cod. 882870510870
Cod. 882870340870
Cod. 882871540010-0300-3470-4520
Cod. 882873262710

882870210870
882871240010-0300-3470-9160
882870700010-0300-0870
882870600870-0300-0010-9160
882873940010
882872219011
882873540010

POS	12NC	DESCRIPTION	NOTE	POS	12NC	DESCRIPTION	NOTE
	421946045821	3POLES CONN. WATER LEV. CAP. OMN UL					
	421946043222	3POLES CONN. FLOWMETER OMN UL					
	421946043141	1 WIRE CABLE BLACK BOILER OMN					
	421946043163	MICRO+MOTOR BREWUN. V2 OMN UL ASSY.					
	421946043193	CONN.MICROSW.DOOR V3 OMN UL ASSY.					
	421946043603	2 WIRES CABLE BOILER/VALVE EARTH OMN V3					
	421945002361	4P.CONN.1ELECTROV. OMN UL ASSY					
	421946047771	3WIRES CABLE BOILER/VAL./VAL. EARTH OMN					
	421945002351	4P.CONN.2ELECTROV. OMN UL ASSY					
	421946046921	TEMPERATURE SENSOR NTC OMN					
	421946047151	WIRING SERPROG OMN PROGRAMMER ASSY.					



PHILIPS EP CMF SERIES

